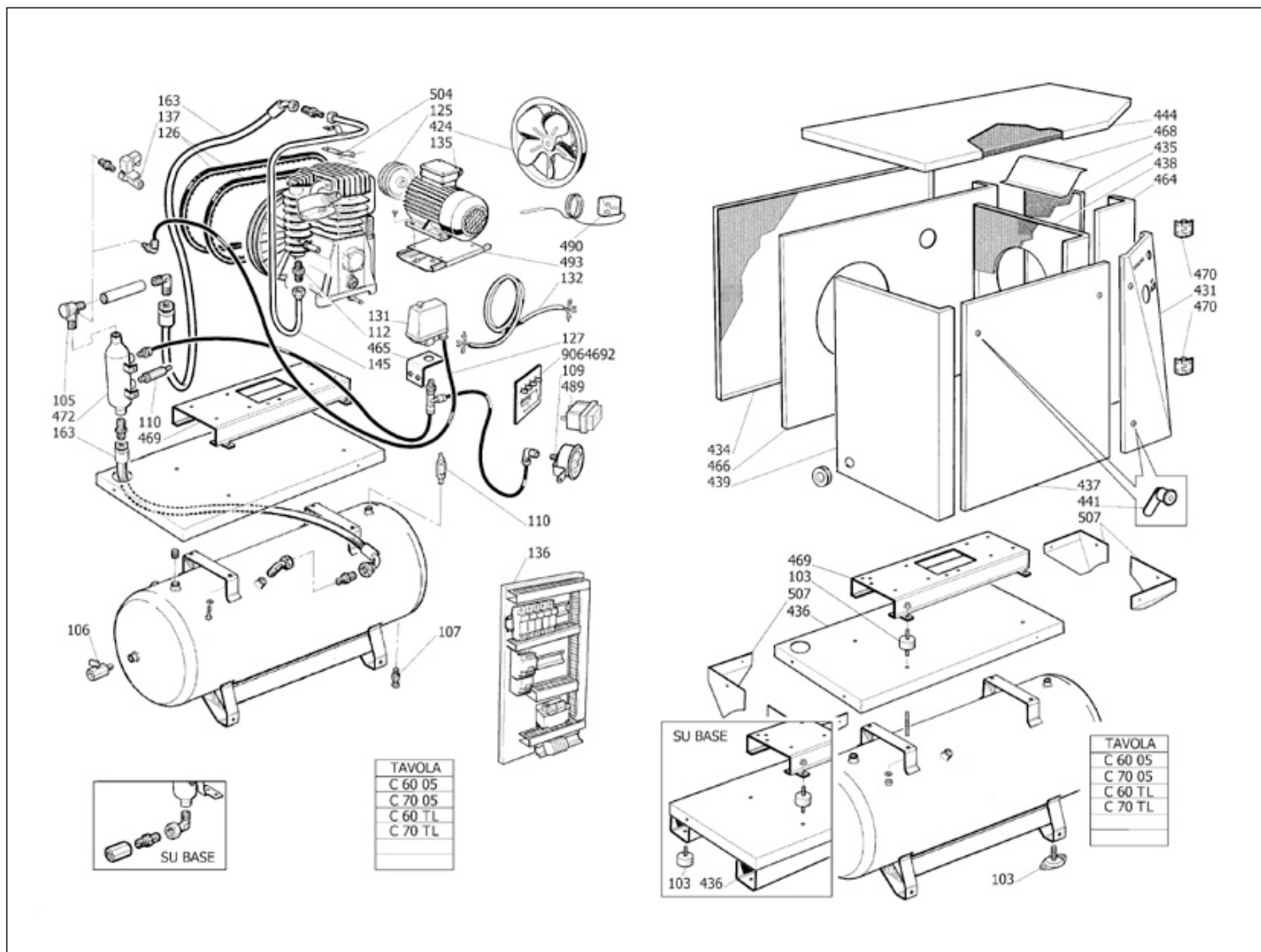


Information

Item 4116007005 Description B 6000/LN/500 FT 7 5 V400 NT



Part

| Nr. | Item | Description | End | Q.ty |
|-----|------------|------------------|----------|---------|
| 465 | 6275615700 | Bracket | | 1.00 PC |
| 465 | 6275615700 | Bracket | 27/02/05 | 1.00 PC |
| 466 | 6275617700 | Separation panel | | 1.00 PC |
| 467 | 6275616000 | Top panel | | 1.00 PC |
| 469 | 6275615400 | Motor base | | 1.00 PC |
| 470 | 6275617600 | Hinge | | 2.00 PC |
| 472 | 6215040600 | Receiver | | 1.00 PC |
| 472 | 6215040600 | Receiver | 15/11/06 | 1.00 PC |
| 472 | 6215040600 | Receiver | 27/06/11 | 1.00 PC |

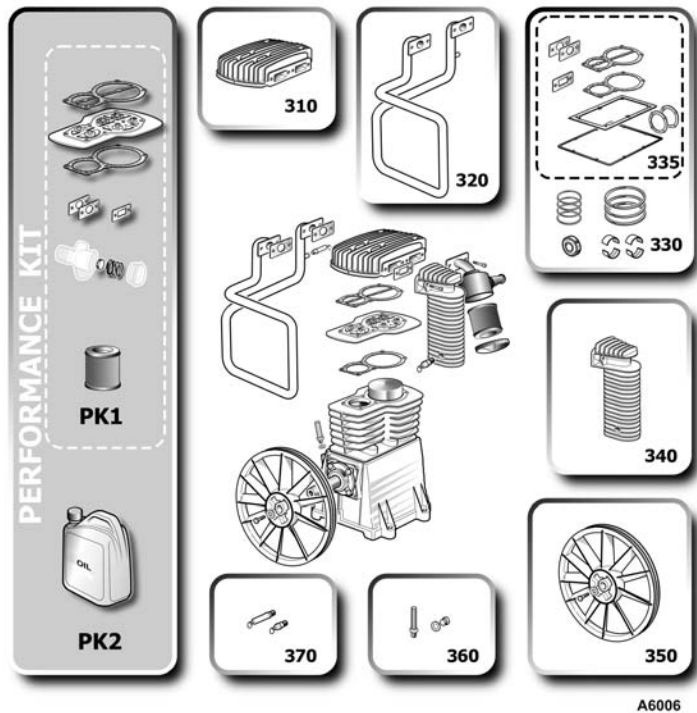
Part

| Nr. | Item | Description | End | Q.ty |
|-----|------------|--------------------|----------|---------|
| 489 | 6266369300 | Hour meter | | 1.00 PC |
| 489 | 6266369300 | Hour meter | 27/02/05 | 1.00 PC |
| 490 | 2236100506 | Thermostat | | 1.00 PC |
| 490 | 2236100506 | Thermostat | 27/02/05 | 1.00 PC |
| 490 | 6266370100 | Thermostat | 02/05/07 | 1.00 PC |
| 490 | 6266370100 | Thermostat | 27/02/05 | 1.00 PC |
| 493 | 2236107169 | Motor slide | | 1.00 PC |
| 504 | 6275617200 | Bracket | | 1.00 PC |
| 507 | 6275616600 | Panel | | 2.00 PC |
| 507 | 6275616600 | Panel | 02/03/08 | 2.00 PC |
| 507 | 6275616700 | Panel | | 2.00 PC |
| 507 | 6275616700 | Panel | 02/03/08 | 2.00 PC |
| 131 | 2236101220 | Pressure switch | | 1.00 PC |
| 131 | 2236101220 | Pressure switch | 27/02/05 | 1.00 PC |
| 131 | 6256396000 | Pressure switch | 24/02/10 | 1.00 PC |
| 131 | 6256396000 | Pressure switch | 27/02/05 | 1.00 PC |
| 131 | 6256397000 | Pressure switch | 08/02/12 | 1.00 PC |
| 131 | 6256397000 | Pressure switch | 27/02/05 | 1.00 PC |
| 132 | 6266368500 | Cable | | 1.00 PC |
| 132 | 6266368600 | Cable | 27/02/05 | 1.00 PC |
| 135 | 6226137100 | Motor | | 1.00 PC |
| 135 | 6226142600 | Motor | 27/02/05 | 1.00 PC |
| 136 | 6266368900 | Star-delta starter | | 1.00 PC |
| 136 | 6266368900 | Star-delta starter | 27/02/05 | 1.00 PC |
| 137 | 6210720500 | Solenoid valve | 29/12/04 | 1.00 PC |
| 145 | 6245579000 | Delivery pipe | | 1.00 PC |
| 163 | 2236106072 | | | 1.00 PC |
| 163 | 6245579200 | | 28/10/07 | 1.00 PC |
| 163 | 6245579300 | | | 1.00 PC |
| 163 | 6245579300 | | 02/03/08 | 1.00 PC |
| 424 | 6243733000 | Fan | | 1.00 PC |
| 424 | 6243733000 | Fan | 27/02/05 | 1.00 PC |
| 431 | 2236107186 | Control board | | 1.00 PC |
| 434 | 6275618300 | Rear panel | | 1.00 PC |
| 435 | 6275618500 | Right panel | | 1.00 PC |
| 437 | 6275617400 | Front panel | | 1.00 PC |
| 438 | 6275618600 | Panel | | 1.00 PC |
| 439 | | Left panel | | 1.00 PC |
| | 6275618700 | | | |
| 441 | 6275617900 | Lock | | 4.00 PC |
| 444 | 6275618900 | Top panel | | 1.00 PC |
| 464 | 6275616800 | Separation panel | | 1.00 PC |

Information

Item 4116007005 Description B 6000/LN/500 FT 7 5 V400 NT

B6000 SILENT



Part

| Nr. | Item | Description | End | Q.ty |
|-----|------------|-------------------|-----|---------|
| 310 | 2901324967 | Cylinder head kit | | 1.00 PC |
| 320 | 2901324968 | Cooler kit | | 1.00 PC |
| 330 | 6229027600 | Upgrade kit | | 1.00 PC |
| 335 | 8973035123 | Joints kit | | 1.00 PC |
| 340 | 2901324966 | Aftercooler kit | | 1.00 PC |
| 350 | 6229020100 | Flywheel kit | | 1.00 PC |
| 360 | 2901324952 | Oil level kit | | 1.00 PC |
| 370 | 6229020200 | Safety valve kit | | 1.00 PC |
| PK1 | 8973037646 | Performance kit | | 1.00 PC |

